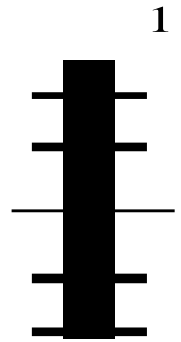
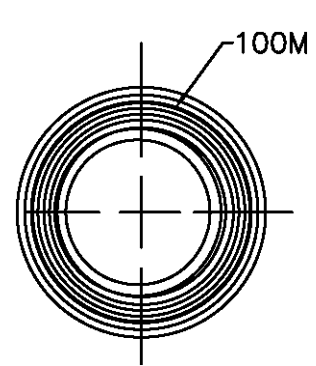


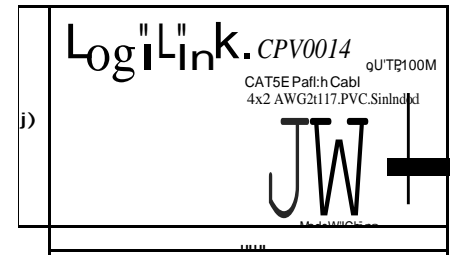
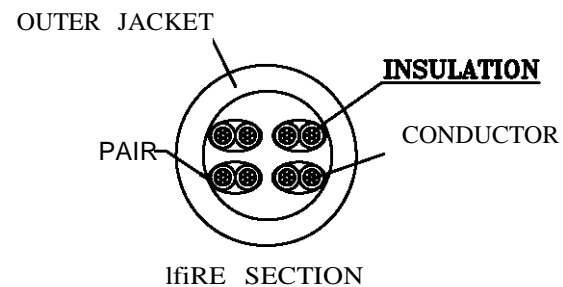
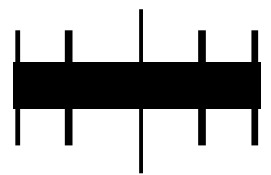
CUSTOMER NO:	REMARK
CPV0014	



RoHS
Compliant

1--35--1

..20011.....



- NOTES:
- 1) CABLE LENGTH: 100M
 - 2) EASY PULL WHITE BOX
 - 3) 1PC 50*90mm sticker on both sides of white box
 - 4) 1PC 40*60mm EAN sticker on shipping mark of outer carton
 - 5) ROBS label on the side of EAN label
 - 3) Cable is with ROBS COMPLIANT

- CABLE:
- 1) CAT.5E UTP 26f4P(7*0.16)CCA, STRANDED TYPE OD:5.5D
LIGHT GRAY(3014) IOOK/ROIL (RoBS)
CABLE PRINTER:UTP CAT.5e NETWORKING PATCH CABLE AYG 26/7••p

A	FIRST EDITION	
REV	DESCRIPTION	DATE
2DIRECT GMBH		
TITLE	P/N	CPV0014
UTP CABLE (ROHS)	DR	27/09/07
Drawing no.: 0253		UNIT:MM
CHKD:	APPD:	CONF:
		SIZE:A4