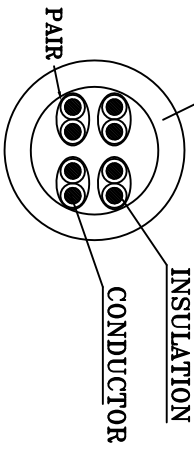
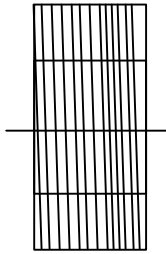
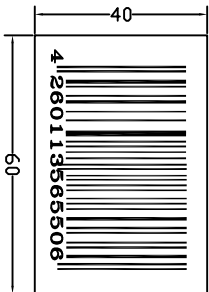
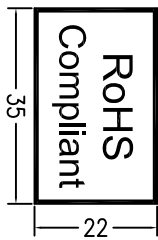
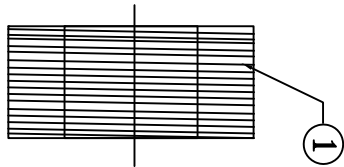
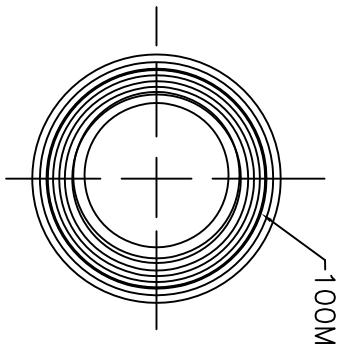


| | |
|----------|--------|
| ITEM NO: | REMARK |
| CPV0019 | |



- NOTES:
- 1) CABLE LENGTH:100M
 - 2) EASY PULL WHITE BOX
 - 3) IPC 50*90MM Sticker on both sides of white box
 - 4) IPC 40*60MM EAN sticker on shipping mark of outer carton
 - 5) ROHS label stick next to EAN Code label
 - 6) CABLE With ROHS Compliant

CABLE:
 1) CAT.5E UTP 26#4P(1*0.45)CCA, SOLID TYPE OD:5.5MM
 LIGHT GRAY(3014) 100M/ROLL. (ROHS)
 CABLE PRINTER:UTP CAT.5e NETWORKING INSTALLATION CABLE AWG 26/1*4P

| | | | |
|----------------------|---------------|---------|---------------|
| A | FIRST EDITION | DR | DATE |
| REV | DESCRIPTION | DR | DATE |
| 2DIRECCT GMBH | | | |
| TITLE | | P/N | CPV0019 |
| UTP CABLE (ROHS) | | DR | gmae 30/09/07 |
| Drawing no. | 0255 | UNIT:MM | |
| CHKD: | APPD: | CONF: | |
| | | SIZE:A4 | |