

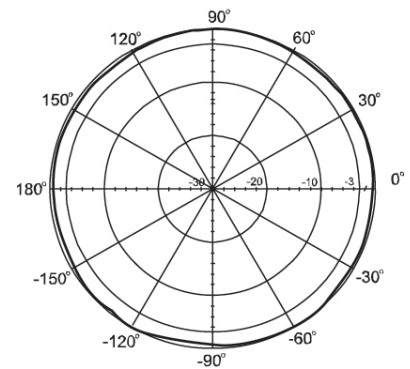
Art No. WL0108

2.4GHz Outdoor Omni-Directional Antenna, 8dBi

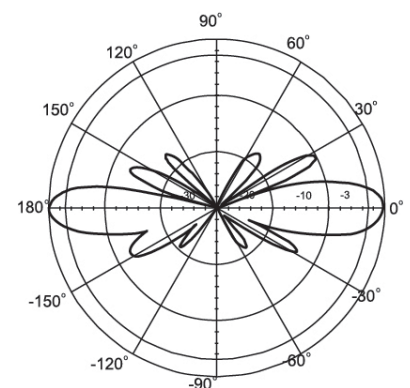
Specification:

Frequency range	2400-2500 MHz
Gain	8 dBi
VSWR	2.0: 1 Max.
Polarization	Linear, vertical
Impedance	50 Ω
HPBW / horizontal	360°
HPBW / vertical	15°
Downtilt	0°
Power handling	10W (cw)
Connector	N Female
Survival wind speed	216 km/hr
Temperature	-40°C to +80°C
Humidity	95% @55°C
Lightning protection	DC ground
Radome color	Gray-White
Radome material	Fiber glass
Weight	340g
Dimensions	19x520 mm

H-plane Co-polarization Pattern



V-plane Co-polarization Pattern



Packaging Information:

- Packing Dimension: 82x605x85 mm
- Packing Weight: 0.57kg
- Carton Dimension: 620x195x200 mm
- Carton Q'ty: 4pcs
- Carton Weight: 2.89kgs

* The specifications and pictures are subject to change without notice.
 *All trade names referenced are the registered trademark of their respective owners.



Made in Taiwan